

A

A

Technical data:

- No. of contact: 8(4 Power + 4 Signal)+PE
- Termination method; Axial Screw termination /Spring termination
- Gender: Male
- Size: B10

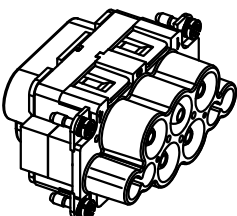
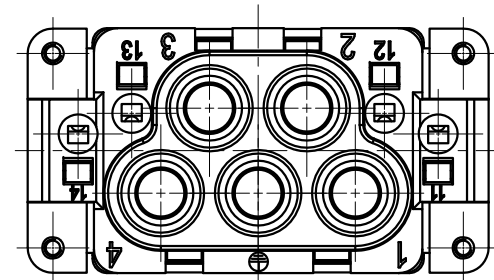
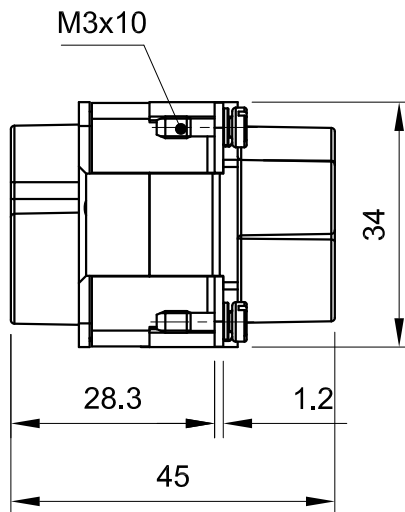
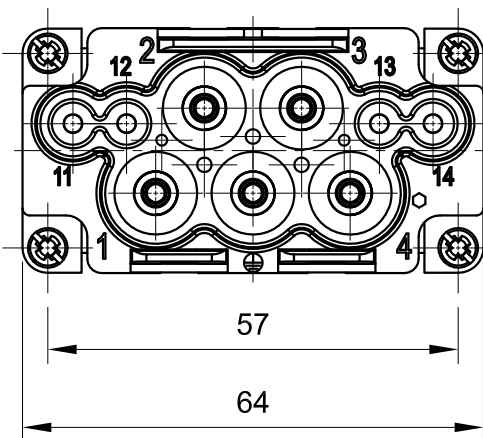
Power Rating:

- Conductor cross-section: 6 ... 16 mm<sup>2</sup>
- Rated current: 63A
- Rated voltage: 690V
- Rated impulse voltage: 8kV
- Pollution degree: 3
- Rated current acc. to UL: 63A
- Rated voltage acc. to UL: 600V
- Contact resistance: ≤0.5mΩ

Signal Rating:

- Conductor cross-section(signal): 0.14 ... 2.5 mm<sup>2</sup>
- Rated current(signal): 16A
- Rated voltage(signal): 250V
- Rated impulse voltage(signal): 4kV
- Pollution degree(signal): 3
- Rated current acc. to UL(signal): 16A
- Rated voltage acc. to UL(signal): 230V
- Contact resistance(signal): ≤3mΩ

- Insulation resistance: ≥10<sup>10</sup>Ω
- Limiting temperature: -40 ... +125°C
- Material(insert): Polycarbonate
- Color(insert): RAL 7032(pebble grey)
- Material(contacts): Copper alloy
- Stripping length: 11 ... 12mm; 7 ... 9mm(Signal)
- Tightening torque: 2Nm/6mm<sup>2</sup>, 3Nm/10mm<sup>2</sup>, 4Nm/16mm<sup>2</sup>
- Mating cycles: ≥500
- Material flammability class acc. to UL94: V-0
- RoHS: Compliant
- Specifications: IEC61984, EN60664-1



C

C

D

D

All Dimensions in mm Original Size DIN A4	Date 2021-07-14	Drawing No. TC8495273	Rev. A00	Scale 1:1
	Part No. 10 37 008 1122	Created by Han Lyu	Checked by Yiyi Luo	Page 1/1
Type Name <b>IK-004.1/4B-M</b>				

**InKonn**<sup>®</sup>  
 InKonn (Suzhou) Electric Technology Co.,Ltd.